

DH-IPC-EBW5641-AS

6MP IR Fisheye WizMind Network Camera



WizMind

Launched by Dahua Technology, Dahua WizMind is a full portfolio of solutions composed of project-oriented products including IPC, IVSS, NVR, PTZ, XVR, Thermal and software platform which adopts industry-leading deep learning algorithms. Focusing on customer's requirements, WizMind provides precise, reliable and comprehensive AI solutions for verticals.

Series Overview

With fisheye lens, Dahua Fisheye series camera can realize 360° surveillance, and it is widely applied in various scenes such as airports, shopping centers, banks and hotels.

Functions

Fisheye VR

With intelligent algorithm, Dahua Fisheye VR technology provides interactive 3-dimensional dynamic view through fisheye image. Dahua fisheye VR supports various interactive modes, such as original, bowl, cylinder and asteroid, providing more interactive experience.

Fisheye Front-dewarp

Utilizes its hardware decoding ability to offer different types of dewarping modes. These modes not only adapt to different installation methods, but also effectively solve distortion issues that typically occur in the standard fisheye view. This function also directly outputs dewarped streams, making it convenient to dock with back-end or third-party platforms.

People Counting

With deep learning algorithm, Dahua People Counting technology can track and process moving human body targets to realize the accurate statistics of enter No., leave No., and In Area No. Working with management platform, it outputs reports to meet your requirements.

Queue Management

With advanced image processing technology and deep learning algorithm, Dahua Queue Management technology counts people quantity in selected area in real time to realize queue management. It supports multiple polygon areas. When No. in area/strand time is not smaller or not larger than the threshold, it triggers alarm.

- 6-MP 1/2.5" CMOS image sensor, low luminance, and high definition image.
- Outputs max. 6 MP (2560 × 2560)@25/30 fps.
- 360° fisheye monitoring covers all the corners without any blind zone.
- Supports fisheye front-dewarp and back-dewarp.
- Supports split screen for 2 and 4 windows.
- Built-in IR LED, and the max. illumination distance is 15 m.
- ROI, AI H.264/H.265, flexible coding, applicable to various bandwidth and storage environments.
- WDR, 3D NR, HLC, BLC, digital watermarking, applicable to various monitoring scenes.
- With deep learning algorithm, it supports: Perimeter Protection, People Counting, Heat map.
- Alarm: 1 in, 1 out; audio: 1 in, 1 out; supports max. 1TB Micro SD card;
- Built-in speaker and dual Mic. Supports two-way talk.
- 12 VDC/ PoE(802.3af) power supply.
- IP67 and IK10 protection.



Heat Map

Dahua heat map technology is used to display the crowd density and people appearance probability. Display the crowd status by different colors. Generally, the crowd status is the statistics of people quantity in space and time dimensions.

Cyber Security

Dahua network cameras employ a series of security technologies, including security authentication and authorization, access control protocols, trusted protection, encrypted transmission and encrypted storage. These technologies improve the camera's defense against external cyber threats and prevent malicious programs from compromising the device.

Protection (IP67, IK10, Wide Voltage)

IP67: The camera passes a series of strict test on dust and soak. It has dust-proof function, and the enclosure can work normally after soaking in 1 m deep water for 30 minutes. IK10: The enclosure can stand the punch more than 5 times from a 5 kg hammer falling from a height of 40 cm (Impact energy is 20J). Wide voltage: The camera allows ±30% (for some power supplies) input voltage tolerance (wide voltage range), and it is widely applied to outdoor environment with instable voltage.

Technical Specification

Camera

Image Sensor	1/2.5" CMOS
Max. Resolution	2560 (H) × 2560 (V)
ROM	4 GB
RAM	1 GB
Scanning System	Progressive
Electronic Shutter Speed	Auto/Manual 1/3 s–1/100,000 s
Min. Illumination	0.006 lux@F2.0 (Color, 30 IRE) 0.0006 lux@F2.0 (B/W, 30 IRE) 0 lux (Illuminator on)
S/N Ratio	>56 dB
Illumination Distance	Up to 15 m (49.21 ft) (IR)
Illuminator On/Off Control	Auto;Manual
Illuminator Number	3 (IR LED)

Lens

Lens Type	Fixed-focal
Lens Mount	M12
Focal Length	1.68 mm
Max. Aperture	F2.0
Field of View	H: 185°; V: 185°; D: 185°
Iris Control	Fixed
Close Focus Distance	0.3 m (0.98 ft)

	Lens	Detect	Observe	Recognize	Identify
	1.68 mm	33.6 m (110.24 ft)	13.4 m (43.96 ft)	6.7 m (21.98 ft)	3.4 m (11.15 ft)

DORI Distance
 *DORI (Detect, Observe, Recognize, Identify) is a standard system (EN-62676-4) for defining the ability of a person viewing the video to distinguish persons or objects within a covered area. The numbers in this table do not reflect intelligent function distances. For intelligent function distances, refer to installation and commissioning manual/project design tool.

Intelligence

EPTZ	Yes
IVS (Perimeter Protection)	Tripwire; intrusion
People Counting	Tripwire people counting, generating and exporting report (day/month/year); queue management and people counting in area, generating and exporting report (day/month); 4 rules can be set for tripwire, people counting in area and queue management.
Heat Map	Yes

Video

Video Compression	H.265; H.264; H.264H; H.264B; MJPEG (Only supported by sub stream)
Smart Codec	Smart H.265+; Smart H.264+
AI Coding	AI H.265; AI H.264
Video Frame Rate	Max Resolution in O Mode by Default Main stream: 2560 × 2560@(1–25/30 fps) sub stream: 1440 × 1440@(1–25/30 fps) third stream: 1440 × 1440@(1–25/30 fps) Resolution of 2 Split Windows in 2P Mode: Sub stream: Panoramic View and Split Window: 1920 × 1440@(1–25/30 fps); 640 × 480@(1–25/30 fps); 320 × 240@(1–25/30 fps); third stream: Panoramic View and Split Window: 1920 × 1440@(1–25/30 fps); 640 × 480@(1–25/30 fps); 320 × 240@(1–25/30 fps); Resolution of 2 Split Windows in 2R Mode: Sub stream: Panoramic View and Split Window: 2560 × 960@(1–25/30 fps); 1280 × 480@(1–25/30 fps); 640 × 240@(1–25/30 fps); third stream: Panoramic View and Split Window: 2560 × 960@(1–25/30 fps); 1280 × 480@(1–25/30 fps); 640 × 240@(1–25/30 fps); Resolution of 4 Split Windows in 4R Mode: sub stream: Panoramic View and Split Window: 1920 × 1440@(1–25/30 fps); 640 × 480@(1–25/30 fps); 320 × 240@(1–25/30 fps); third stream: Panoramic View and Split Window: 1920 × 1440@(1–25/30 fps); 640 × 480@(1–25/30 fps); 320 × 240@(1–25/30 fps);
Streaming Capability	3 streams
Resolution	6M (2560 × 2560); 4M (2048 × 2048); 1.6M (1280 × 1280); 2M (1440 × 1440); 1M (1024 × 1024); (720 × 720); SVCD (480 × 480); 2.5M (2560 × 960); 1.5M (2048 × 768); 1.3M (1920 × 720); (1280 × 480); (640 × 240); (1280 × 480); (640 × 240); VGA (640 × 480); QVGA (320 × 240); 3M (2048 × 1536); 2.7M (1920 × 1440); XVGA (1024 × 768); UVGA (1600 × 1200)
Bit Rate Control	VBR;CBR;ABR
Video Bit Rate	H.264: 3 kbps–16384 kbps; H.265: 3 kbps–16384 kbps
Day/Night	Auto(ICR)/Color/B/W
BLC	Yes
HLC	Yes
WDR	120 dB
Scene Self-adaptation (SSA)	Yes
White Balance	Auto; natural; street lamp; outdoor; manual; regional custom
Gain Control	Auto/Manual
Noise Reduction	3D NR
Motion Detection	OFF/ON (4 areas, rectangular)
Region of Interest (RoI)	Yes (4 areas)

Image Rotation	0°/180°
Mirror	Yes
Privacy Masking	4 mosaics + 4 color blocks

Fisheye

Installation	Ceiling mount; wall mount; ground mount
Decoding Mode	Front-dewarp;Back-dewarp
Display mode	Front-dewarp (hardware decoding): 1O; 1P; 2P; 1R; 2R; 4R; 1O+ 3R 2P/2R: Supports split screen for 2 windows. 4R: Supports split screen for 4 windows. *O: Fisheye image view; P: Panoramic image view; R: Region image view. Back-dewarp (software decoding): fisheye view; 360° panoramic view + PTZ; dual-channel 180° panoramic view; fisheye + 2PTZ; fisheye + 3PTZ; fisheye + 4PTZ; 360° panoramic view + 6PTZ; fisheye + 8PTZ; 180° panoramic view + 3PTZ; 180° panoramic view + 4PTZ; 180° panoramic view + 8PTZ; VR mode (panorama; semi-circle; cylinder; asteroid)

Audio

Built-in MIC	Yes, built-in dual Mic
Built-in Speaker	Yes, built-in speaker
Audio Compression	PCM; G.711a; G.711Mu; G.726

Alarm

Alarm Event	No SD card; SD card full; SD card error; network disconnection; IP conflict; illegal access; motion detection; video tampering; scene changing; tripwire; intrusion; audio detection; intensity change; voltage detection; external alarm; people counting in area; stay detection; people counting; abnormal number of people detection; security exception
-------------	--

Network

Network Port	RJ-45 (10/100 Base-T)
SDK and API	Yes
Network Protocol	IPv4; IPv6; HTTP; TCP; UDP; ARP; RTP; RTSP; RTCP; RTMP; SMTP; FTP; SFTP; DHCP; DNS; DDNS; QoS; UPnP; NTP; Multicast; ICMP; IGMP; NFS; SAMBA; PPPoE; SNMP; P2P
Interoperability	ONVIF (Profile S & Profile G & Profile T); CGI
User/Host	20
Storage	FTP; SFTP; Micro SD card (support max. 512 GB); NAS
Browser	IE: IE11; Chrome; Firefox
Management Software	Smart PSS Lite; DSS; DMSS; DoLynk Care
Security	Video encryption;Firmware encryption;Configuration encryption;Digest;WSSE;Account lockout;Security logs;IP/MAC filtering;Generation and importing of X.509 certification;syslog;HTTPS;802.1x;Trusted boot;Trusted execution;Trusted upgrade;Session security;Security warning

Certification

Certifications	CE-LVD: EN62368-1;
----------------	--------------------

Certifications	CE-EMC: Electromagnetic Compatibility Directive 2014/30/EU
----------------	--

Port

RS-485	1 (baud rate range: 1200 bps–115200 bps)
Audio Input	1 channel (RCA port)
Audio Output	1 channel (RCA port)
Alarm Input	1 channel in: wet contact, 5 mA 3–5 VDC
Alarm Output	1 channel out: wet contact, 300 mA 12 VDC

Power

Power Supply	12 VDC, 1 A; PoE (802.3af)
Dual Power Backup	When the power adapter and PoE provide power at the same time, disconnect one of them. The device will continue to work, but will not restart.
Power Consumption	Basic: 1.4 W (12 VDC), 2.6 W (PoE); Max.: 8.1 W (12 VDC), 10.1 W (PoE) (ICR switch + IR intensity)

Environment

Operating Temperature	–30 °C to +60 °C (–22 °F to +140 °F)
Operating Humidity	≤95% (RH), non-condensing
Storage Temperature	–30 °C to +60 °C (–22 °F to +140 °F)
Storage Humidity	≤95% (RH), non-condensing
Protection	IP67; IK10

Structure

Casing Material	Metal + plastic
Product Dimensions	Φ122 mm × 53.3 mm (Φ4.80" × 2.10")
Net Weight	0.46 kg (1.01 lb)
Gross Weight	0.75 kg (1.65 lb)

Ordering Information

Type	Model	Description
IP CAMERA	DH-IPC-EBW5641-AS	6MP IR Fisheye WizMind Network Camera
	DH-PFB220C	Ceiling Mount Bracket
Accessories (Optional)	DH-PFA109	Mount Adapter
	DH-PFA150	Pole Mount Bracket
	DH-PFB203W	Wall Mount Bracket
	DH-PFA156	Pole Mount Bracket
	DH-PFA137	Junction Box
	DH-PFM320D-EN	DC12V2A power adapter
	PFM900-E	Integrated Mount Tester
	DHI-TF-P100/1TB	MicroSD Card

Accessories

Optional:



DH-PFA109
Mount Adapter



DH-PFA137
Junction Box



DH-PFA150
Pole Mount Bracket



DH-PFA156
Pole Mount Bracket



DH-PFB203W
Wall Mount Bracket



DH-PFB220C
Ceiling Mount Bracket



DH-PFM320D-EN
DC12V2A power adapter

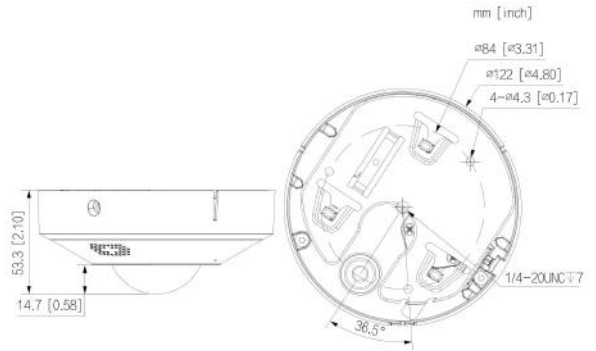


DHI-TF-P100/1TB
MicroSD Card



PFM900-E
Integrated Mount Tester

Dimensions (mm[inch])



Ceiling Mount	Ceiling Mount	Ceiling Mount
Wall Mount	Pole Mount (Horizontal)	Pole Mount (Vertical)