

DH-SG1016

16-Port Unmanaged Gigabit Ethernet Switch



Series Overview

The Device is a layer-2 commercial switch. It has a high-performance switching engine and a large buffer memory to ensure smooth video stream transmission. With a full-metal and fanless design, the Device features great heat dissipation capability on the shell surface. The Device is an unmanaged switch, so it does not need to be configured through web interface, which simplifies installation.

Functions

Plug and Play

Hassle-free, it does not require any configuration. Simply use after it is powered on.

Wide Operating Temperature (-20 °C to +60 °C)

With its metal housing, it has great heat dissipation and a wide operating temperature that ranges from -20°C to +60°C.

Fanless Design

The fanless design reduces noise, enhances user experience, reduces mechanical losses and improves service life to a certain extent.

Optimized Performance

All ports can transmit streams at high speeds without delay.

All-Gigabit Ports

Designed with large buffer memory and all-Gigabit ports, enabling high-definition access of large stream.

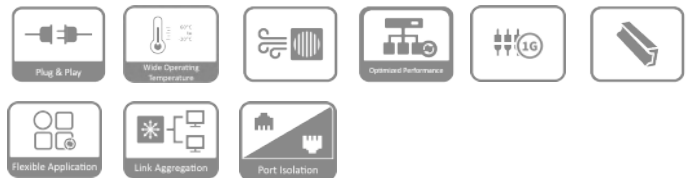
Full Metal Design

With a full-metal design, the device is durable and has excellent heat dissipation performance, suitable for harsh environments.

Flexible Application

Suitable for use in a wide variety of scenes to meet your requirements.

- 16-Port 10/100/1000Mbps Ethernet Switch.
- Complies with IEEE802.3, IEEE802.3ab, IEEE802.3u and IEEE802.3X standards.
- Supports MAC learning and aging and MAC address list capacity is 8K.
- Wide operating temperature from -20°C to +60°C.
- Metal housing with great heat dissipation.
- Easy to install, and plug and play.



Link Aggregation

Combines multiple physical links into one virtual channel for dynamic redundancy and load balancing, ensuring that the connection remains stable.

Port Isolation

Devices under different ports are prevented from communicating with each other, without need of VLAN being configured. Data is also protected from being leaked from the PoE ports and broadcast storms are isolated, making the network safe and easy to use.

Green Mode

This mode activates the Energy Efficient Ethernet (EEE) function to automatically shut down idle circuits, reduce power consumption and save energy.

Scene

Suitable for small-scale scenes such as offices, schools, hotels, supermarkets, and hospitals.

Desktop Ethernet Switch | DH-SG1016

Technical Specification

Hardware

Included Power Adapter	Yes
Ethernet Port	16
Ethernet Port Speed	10/100/1000 Mbps
Ethernet Port Uplink Speed	10/100/1000 Mbps
Description of Function Slots	Port 1-14: 14 × RJ-45 10/100/1000 Mbps; Port 15-16 : 2 × RJ-45 10/100/1000 Mbps(Uplink)
Power Supply	Built-in power supply: 100–240 VAC, 50/60 Hz, max 0.7 A
Operating Temperature	–20 °C to +60 °C (–4 °F to +140 °F)
Storage Temperature	–40 °C to +75 °C (–40 °F to +167 °F)
Power Consumption	Idling: 5.0 W; Full load: 7.0 W
Storage Humidity	10%–90% (RH), non-condensing

Basic

Operating Humidity	10% –90% (RH), non-condensing
--------------------	-------------------------------

Performance

Management Type	No
Switching Capacity	32 Gbps
Packet Forwarding Rate	23.81 Mpps
Packet Buffer Size	4 Mbit
Jumbo Frame	15K Byte
MAC Table Size	8K
Communication Standard	IEEE802.3; IEEE802.3ab; IEEE802.3u; IEEE802.3X

Feature

Link Aggregation	Yes
------------------	-----

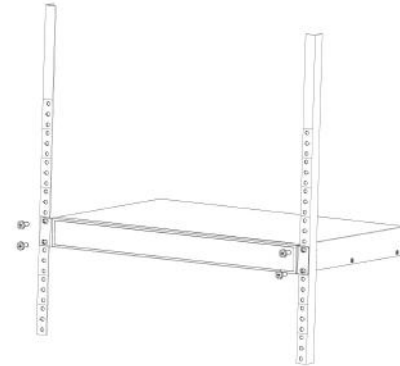
General

Statics Protection	Air discharge: 8 kV; Contact discharge: 6 kV
Lightning Protection	Common mode: 2 kV; Differential mode: 0.5 kV
Net Weight	1.63 kg (3.59 lb)
Gross Weight	2.54 kg (5.60 lb)
Product Dimensions	440 mm × 155 mm × 43.7 mm (17.32" × 6.10" × 1.72") (L × W × H)
Packaging Dimensions	523 mm × 273 mm × 109 mm (20.59" × 10.75" × 4.29") (L × W × H)
Casing Material	Iron
Installation	Desktop mount; rack mount
Certifications	CE

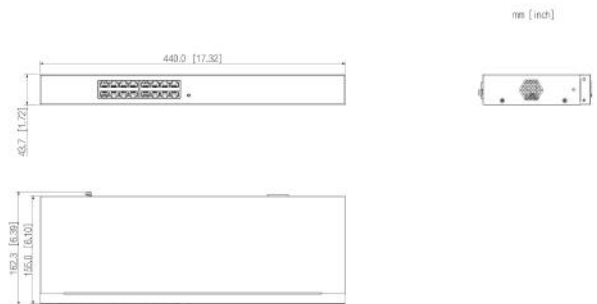
Ordering Information

Type	Part Number	Description
Ethernet Switch	DH-SG1016	16-Port Unmanaged Gigabit Ethernet Switch

Installation



Dimensions (mm[inch])



Panels

