

DH-VCS-SH30

IP Speaker DH-VCS-SH30



Series Overview

Designed with aviation aluminum, VCS-SH30 is a strong network speaker that features voice talk, broadcasting audios and storing audio files. It supports SIP and ONVIF protocols, and can be managed on its webpage or in batches on the platform. It is suitable for a variety of security monitoring locations.

Scene

Ideal for playing audio messages in parking lots, the perimeter of compounds, schools and other locations.

Technical Specification

Microphone

Type	Built-in one microphone switch
Pickup Distance	≥3 m
Frequency Response	50 Hz-12 KHz
MIC Input	15 mV

Speaker

Max Sound Pressure Level	108 dB
SNR	≥75 dB
Frequency Response	250 Hz-16 KHz
Coverage Pattern	H: 70°; V: 100°
Speaker Output	15 W

Amplifier

Amplifier Description	Built-in 15 W and 8Ω amplifier
-----------------------	--------------------------------

Interface

TF Card Interface	Supports TF card storage
MIC Input	Pickup distance ≥ 3 m (9.84 ft), built-in 1 microphone switch

- With its cone-shaped corners, it is easy to control the direction of audio broadcasts. It also supports wall mount and pole mount installation.
- Built of anti-corrosion aviation aluminum, it is suitable for use outdoors in most weather conditions.
- With its integrated design, it has a built-in network audio decoding chip, high fidelity digital operational amplifier and horn speaker.
- POE+.
- Supports device registration and intercom based on the ONVIF protocol.
- Supports the standard SIP protocol and SIP-based intercom.
- It has a 512 MB storage capacity, and supports uploading custom audios and using TF cards for expansion (the back cover must be open).
- Supports remote management over the network, facilitating operation and maintenance.
- Built-in one-click reset button.

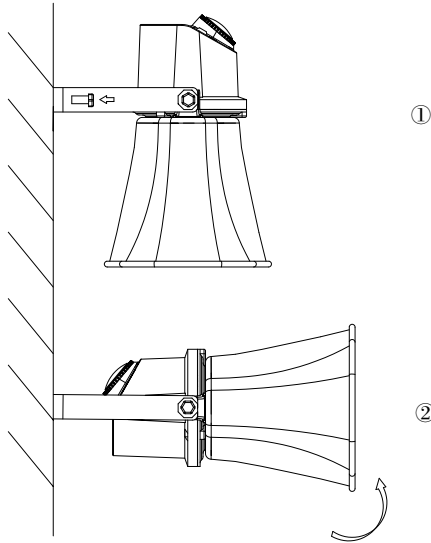
Network

Network Port	1 × RJ-45 port
Network Protocol	TCP, UDP, ARP, ICMP, IGMP, DHCP, IGMP, HTTP, SIP, ONVIF

General

Audio Protocol	MP3, G.711a/u
Storage	512 MB and TF card
Power Input	PoE+ (IEEE 802.3at), 24 VDC, 1 A (Standby)
Power Consumption	15 W
Operating Temperature	-40 °C to +60 °C (-40 °F to +140°F)
Operating Humidity	60%–95% (RH), non-condensing
Protection Level	IP66
Certifications	CE EMC, CE LVD
Product Dimensions	225 mm × 170 mm × 250 mm (8.86" × 6.69" × 9.84") (L × W × H)
Packaging Dimensions	240 mm × 200 mm × 275 mm (9.45" × 7.87" × 10.83") (L × W × H)
Net Weight	1.8 kg (3.97 lb)
Gross Weight	2.5 kg (5.51 lb)

Installation



Dimensions (mm[inch])

