

TLEB-R Series

Rugged Touchless Exit Buttons
with Advanced Built-in Infrared Technology



TLEB101-R



TLEB102-R



RM-100



The TLEB-R Series of exit buttons uses infrared induction technology. The exit button is activated with simple hand waving. Users could unlock the door with a remote key RM-100 as well. The remote's sensing range is up to 10 meters.

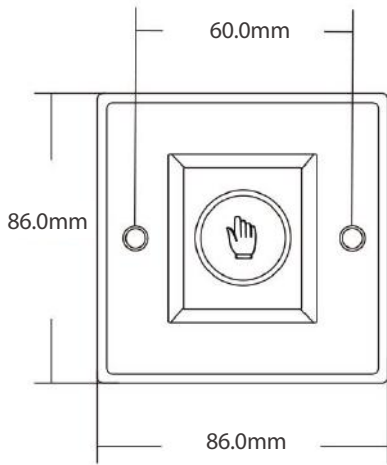
Features

- Two methods to open the door: infrared induction and remote control
- Remote control distance: 1,000cm
- Infrared induction distance: 10 to 25 cm
- Application: Gates / Doors / Exits / Automation

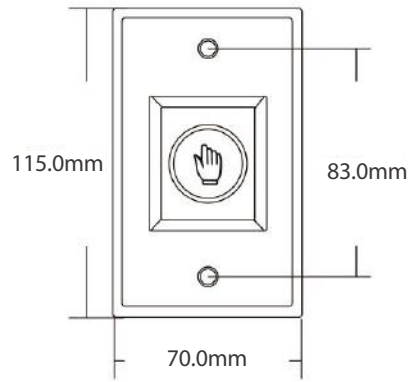
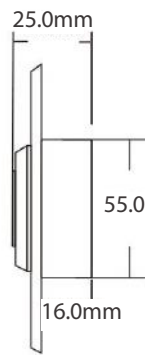
Specifications

Model		TLEB101-R	TLEB102-R
Working Temperature		-10°C to 55°C	
Working Humidity		0% to 95%	
Storage Temperature		-15°C to 60°C	
Storage Humidity		0% to 95%	
Power Supply		DC 12V	
Remote Control Distance		1,000cm	
Infrared Induction Distance		10cm to 25cm	
Weight		0.15kg	
Dimensions (mm)	Exit Button (W*H*D)	86*86*25	70*115*25
	Remoter (W*H*D)	32*57*11	
MCBF		100,000 times	

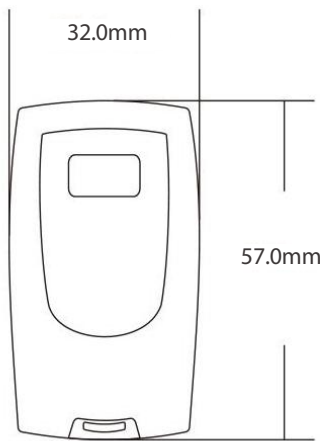
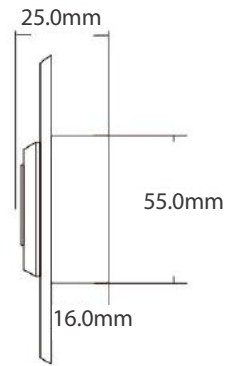
Dimensions (mm)



TLEB101-R



TLEB102-R



RM-100

